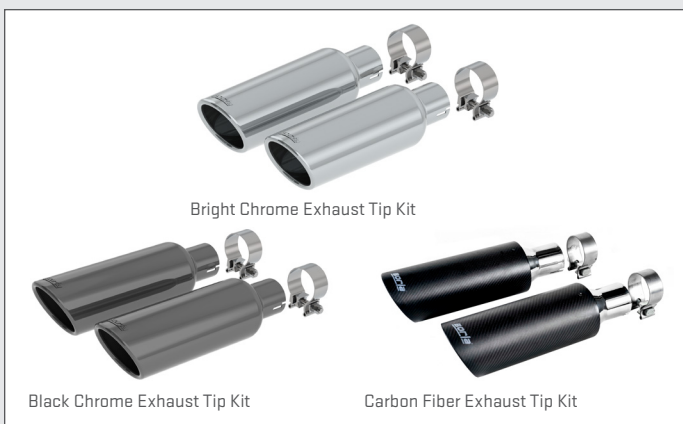




COMBINE SHOW WITH GO.

PERFORMANCE CAT-BACK EXHAUST SYSTEMS AND PERFORMANCE EXHAUST TIP KITS BY BORLA®¹

- Maximum performance from Borla's patented, race-bred technology and engineering
- Quality, T304 stainless steel construction
- Backed by Borla's 1,000,000-mile warranty¹
- Customize your system with the Bright Chrome, Black Chrome or Carbon Fiber Performance Exhaust Tip Kits shown here



PART #	PART NAME	VEHICLE	MSRP ²	INSTALL TIME
19303331	Borla® Performance Exhaust 5.3L Dual-Split Rear	2014-18 Sierra 1500, Regular Cab Standard Bed	\$1,249	0.5 hr
19303332	Borla® Performance Exhaust 5.3L Dual-Split Rear	2014-18 Sierra 1500, Regular Cab Long Bed	\$1,249	0.5 hr
19303333	Borla® Performance Exhaust 5.3L Dual-Split Rear	2014-18 Sierra 1500, Double Cab Standard Bed & Crew Cab Short Bed	\$1,249	0.5 hr
19303334	Borla® Performance Exhaust 5.3L Dual-Split Rear	2014-18 Sierra 1500, Crew Cab Standard Bed	\$1,249	0.5 hr
19303335	Borla® Performance Exhaust 5.3L Dual-Side Exit	2014-18 Sierra 1500, Regular Cab Standard Bed	\$1,249	0.5 hr
19303336	Borla® Performance Exhaust 5.3L Dual-Side Exit	2014-18 Sierra 1500, Regular Cab Long Bed	\$1,249	0.5 hr
19303337	Borla® Performance Exhaust 5.3L Dual-Side Exit	2014-18 Sierra 1500, Double Cab Standard Box & Crew Cab Short Bed	\$1,249	0.5 hr
19303338	Borla® Performance Exhaust 5.3L Dual-Side Exit	2014-18 Sierra 1500, Crew Cab Standard Bed	\$1,249	0.5 hr
19303339	Borla® Performance Exhaust 6.2L Dual-Split Rear	2014-18 Sierra 1500, Regular Cab Standard Bed	\$1,249	0.5 hr
19303340	Borla® Performance Exhaust 6.2L Dual-Split Rear	2014-18 Sierra 1500, Regular Cab Long Bed	\$1,249	0.5 hr
19303341	Borla® Performance Exhaust 6.2L Dual-Split Rear	2014-18 Sierra 1500, Double Cab Standard Bed & Crew Cab Short Bed	\$1,249	0.5 hr
19303342	Borla® Performance Exhaust 6.2L Dual-Split Rear	2014-18 Sierra 1500, Crew Cab Standard Bed	\$1,249	0.5 hr
19303343	Borla® Performance Exhaust 6.2L Dual-Side Exit	2014-18 Sierra 1500, Regular Cab Standard Bed	\$1,249	0.5 hr
19303344	Borla® Performance Exhaust 6.2L Dual-Side Exit	2014-18 Sierra 1500, Regular Cab Long Bed	\$1,249	0.5 hr
19303345	Borla® Performance Exhaust 6.2L Dual-Side Exit	2014-18 Sierra 1500, Double Cab Standard Box & Crew Cab Short Bed	\$1,249	0.5 hr
19303346	Borla® Performance Exhaust 6.2L Dual-Side Exit	2014-18 Sierra 1500, Crew Cab Standard Bed	\$1,249	0.5 hr
19303347	Borla® Performance Exhaust Tip Kit (2 pcs.), Bright Chrome	2014-18 Sierra 1500, All	\$149	0.1 hr
19303348	Borla® Performance Exhaust Tip Kit (2 pcs.), Black Chrome	2014-18 Sierra 1500, All	\$189	0.1 hr
19367179	Borla® Performance Exhaust Tip Kit (2 pcs.), Carbon Fiber	2014-18 Sierra 1500, All	\$399	0.1 hr

FOR THE COMPLETE LIST OF GMC ACCESSORIES, SEE YOUR DEALER OR VISIT GMC.COM/ACCESSORIES.

Some accessories shown are from an independent supplier. GM Licensed and Integrated Business Partner Associated Accessories are covered under the accessory-specific manufacturer's warranty and are not warranted by GM or its dealers. GM is not responsible for the safety or quality of independent supplier alterations.

¹ Non-GM Warranty. Limited Warranty by Borla®, 1,000,000 miles. For more information, contact your dealer.

² Manufacturer's Suggested Retail Price. Tax and installation extra. See dealer for details.

For installation instructions, please visit AIC and select Borla under the IBP section.

July 2017



RACING-INSPIRED CARBON FIBER.



RACING HEARTBEATS.

Wherever the road takes you, Borla® sets GMC Sierra apart from the crowd with adrenaline-pumping exhaust sound and now, with breathtaking underhood detailing.

With the hood up, the racing-inspired Valve Cover Dress Kit and Intake/Plenum Cover Set in Carbon Fiber construction sets pulses racing. By combining lightweight strength, careful craftsmanship and cutting-edge looks, Borla® sets the new underhood standard.

- 100% carbon fiber construction
- A 2x2 twill weave surface ply matches other OEM components
- A CAD-operated ply cutter forms all pattern and ply segments
- Components are created using a hand-layup/vacuum-bag/autoclave-cured process
- Clear automotive urethane topcoat

PART NAME	VEHICLE	PART #	MSRP ²	INSTALL TIME
Carbon Fiber Valve Cover Dress Kit 5.3L and 6.2L (2 pcs.)	2014-18 Sierra	19367511	\$1,059	0.4 hr
Carbon Fiber Intake & Plenum Cover Set 5.3L (2 pcs.)	2014-18 Sierra	19367510	\$1,299	0.3 hr
Carbon Fiber Intake & Plenum Cover Set 6.2L (2 pcs.)	2014-18 Sierra	19367509	\$1,299	0.3 hr



Carbon Fiber Valve Cover Dress Kit



Carbon Fiber Intake and Plenum Cover Set

FOR THE COMPLETE LIST OF GMC ACCESSORIES, SEE YOUR DEALER OR VISIT GMC.COM/ACCESSORIES.



Some accessories shown are from an independent supplier. GM Licensed and Integrated Business Partner Associated Accessories are covered under the accessory-specific manufacturer's warranty and are not warranted by GM or its dealers. GM is not responsible for the safety or quality of independent supplier alterations.

¹ ⚙️ Non-GM Warranty. Limited Warranty by Borla® 1,000,000 miles. For more information, contact your dealer.

² Manufacturer's Suggested Retail Price. Tax and installation extra. See dealer for details.

