

#PI0710: Accessory Trailer Hitch Assembly Installation (available as ACO and LPO SDD) - (Mar 28, 2012)

Subject: Accessory Trailer Hitch Assembly Installation (available as ACO and LPO SDD)



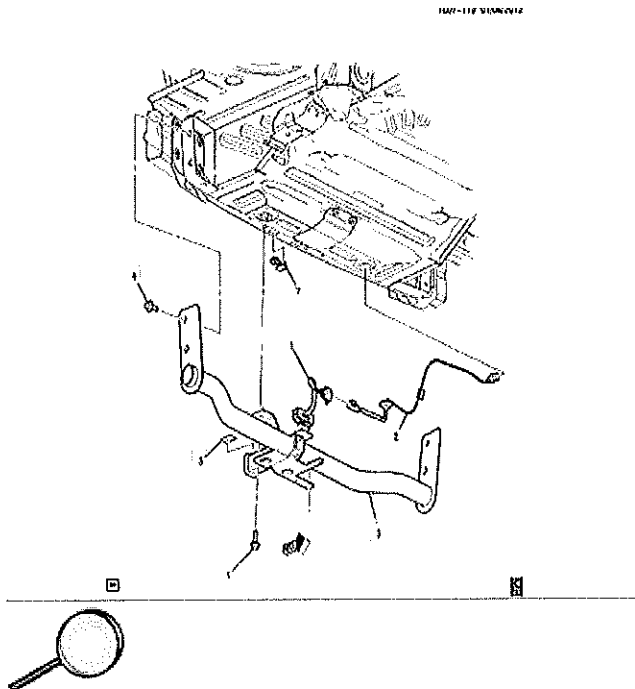
Models: 2012 Chevrolet Equinox
2012 GMC Terrain
Built After March 5, 2012

Condition/Concern

A technician will note the center holes used to mount the center portion of the trailer hitch (accessory hitch kit P/N 19245492) to the vehicle are no longer threaded.

This is a result of a build change implemented at the assembly plant.

Recommendation/Instructions



Install two U-Spring Nuts (7) required at this location to complete the trailer hitch installation.

Parts Information

Part Number	Description	Qty.
11610645	U-Spring Nut	2

Warranty Information

For vehicles repaired under warranty, use:

Labor Operation	Description	Labor Time
Z2386*	GMT17x Accessory Trailer Hitch	0.0 hr

*This is a unique labor operation for bulletin use to cover part cost only. The required labor is included in Z6998 for the LPO accessory and included in the customer paid installation cost when installed as an ACO.

Important: U.S. Dealers: For customer vehicles, place the part order as a CSO3. Parts will be shipped overnight, if the order is received no later than 4:00 pm EST. Orders received after 4:00 pm EST will be processed the next day and shipped the following day. Overnight shipping cost should be submitted as NET item. DO NOT use CSO3 for stock orders. Canadian Dealers: Overnight shipping is not available directly to dealers in Canada. Canadian dealers are advised to place the part order as type CSO.

GM bulletins are intended for use by professional technicians, NOT a "do-it-yourselfer". They are written to inform these technicians of conditions that may occur on some vehicles, or to provide information that could assist in the proper service of a vehicle. Properly trained technicians have the equipment, tools, safety instructions, and know-how to do a job properly and safely. If a condition is described, DO NOT assume that the bulletin applies to your vehicle, or that your vehicle will have that condition. See your GM dealer for information on whether your vehicle may benefit from the information.



WE SUPPORT
VOLUNTARY
TECHNICIAN
CERTIFICATION