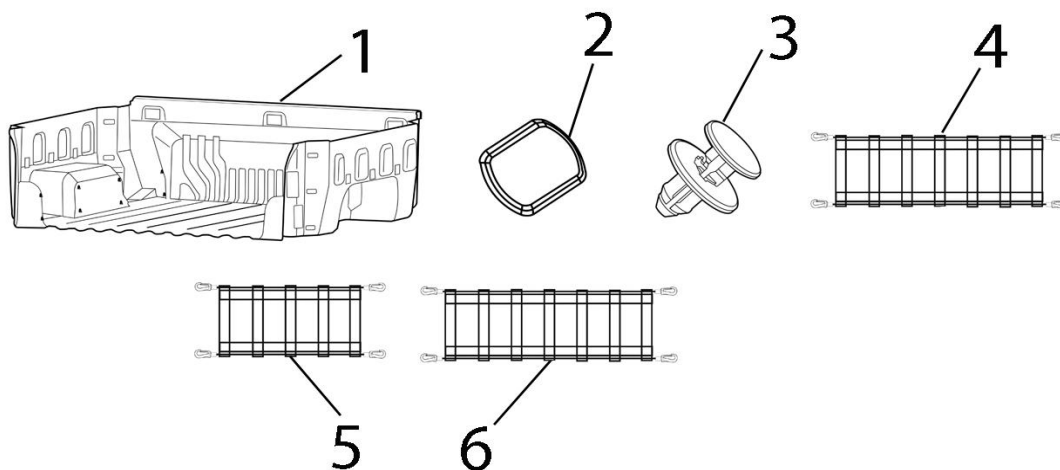


Pickup Box Liner Package Installation (Instruction ID: 84403765)

Installation Instructions Part Number

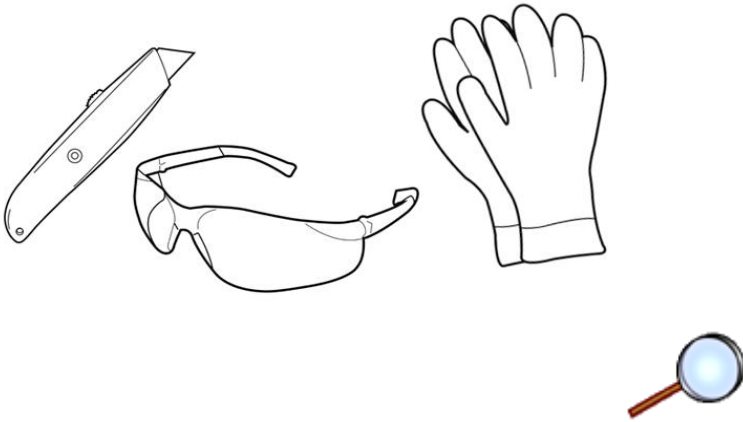
84403765



Pickup Box Liner Package Installation

DESCRIPTION	ITEM	QUANTITY
Bed Liner	1	1
Plug	2	9 (5'8 and 6'7 Box) 7 (8' Box)
Push Pin	3	2
Rear Net Attachment For 5.8' Box	4	1
Rear Net Attachment For 6.7' and 8' Box	5	2
Front Net Attachment For 6.7' and 8' Box	6	2
Installation Instruction	-	1

Optional Tools



Note: Clean and dry the cargo truck box prior to installation.

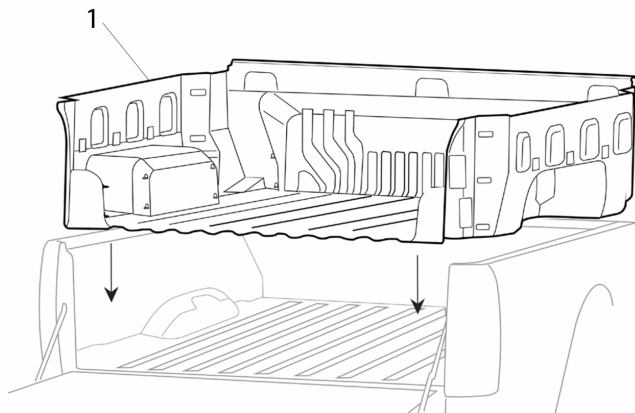
Procedure

Note: Please read all instructions before proceeding.

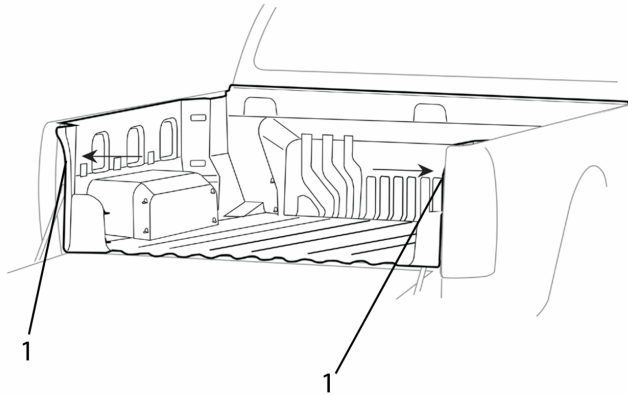
Note: It is recommended that 2 people are used to install the bedliner.

Note: Do not allow the bedliner to contact the bedrail surfaces.

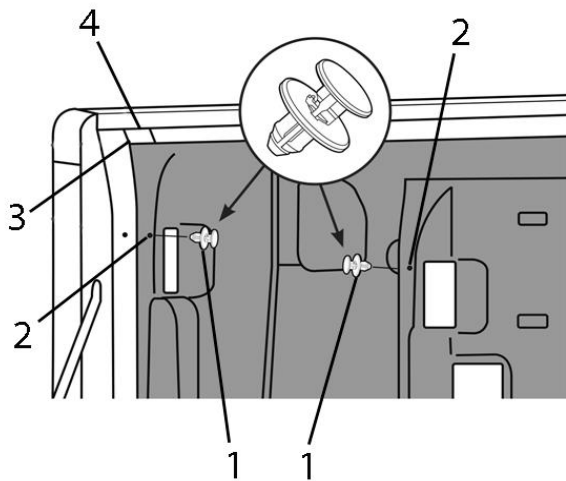
Bedliner Installation



1. Insert the bedliner (1) straight down into bed of truck.

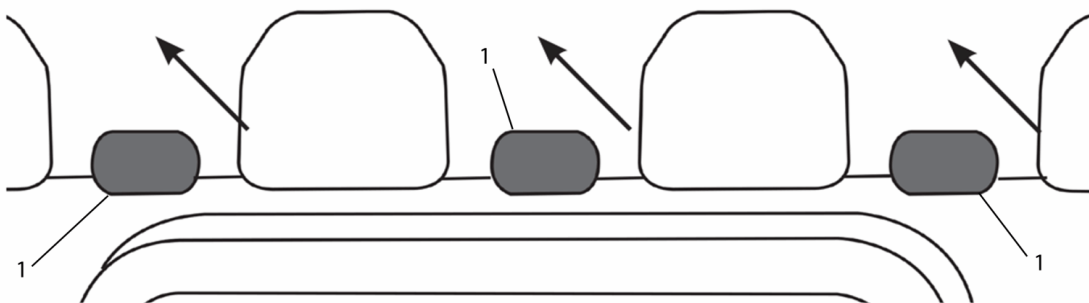


2. Push the side of bedliner (1) under each side of truck bed rail.



3. Insert the top back edge of the bedliner (3) and insert under the plastic rail cap (4).
4. Locate the pre-drilled hole (2) and install one push pin (1) on each side.

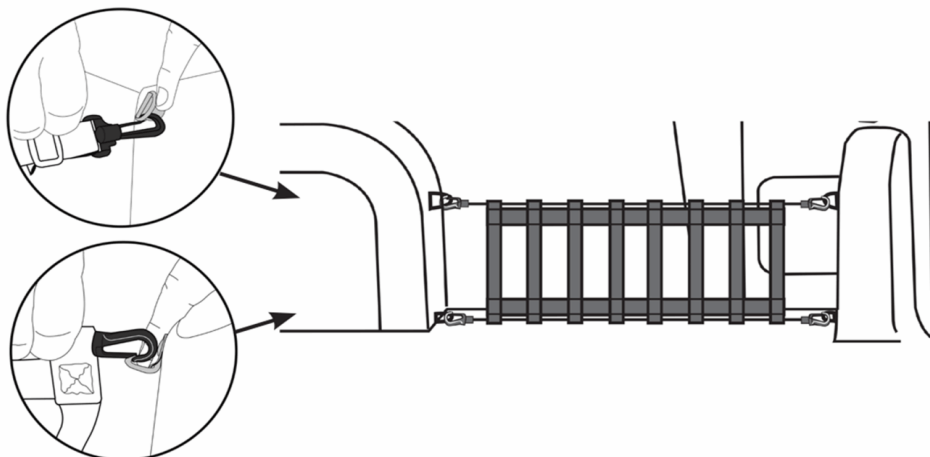
Side and Front Tie-downs



When side tie-downs are not in use cover the holes with the oval plug (1).

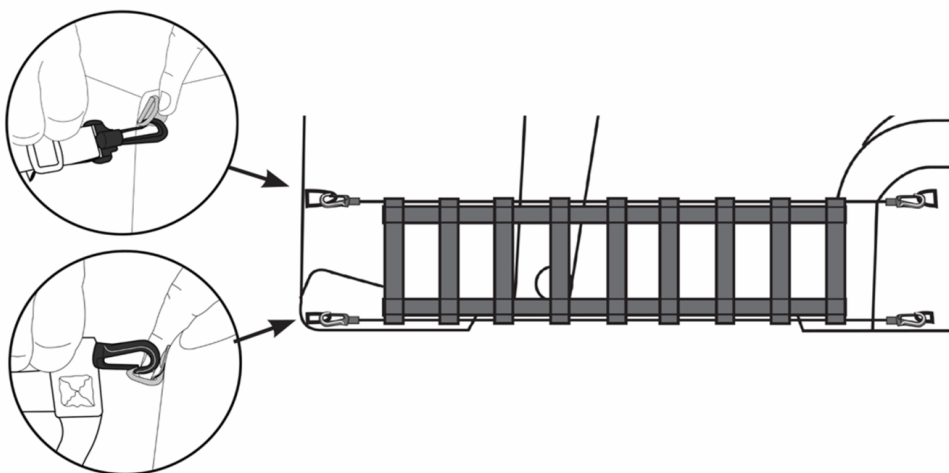
Note: (8' Box - 2 Per Side, 5'8" & 6'7" Box - 3 per Side) 3 Front - All Boxes.

Rear Net Installation 5.8' Cargo Box



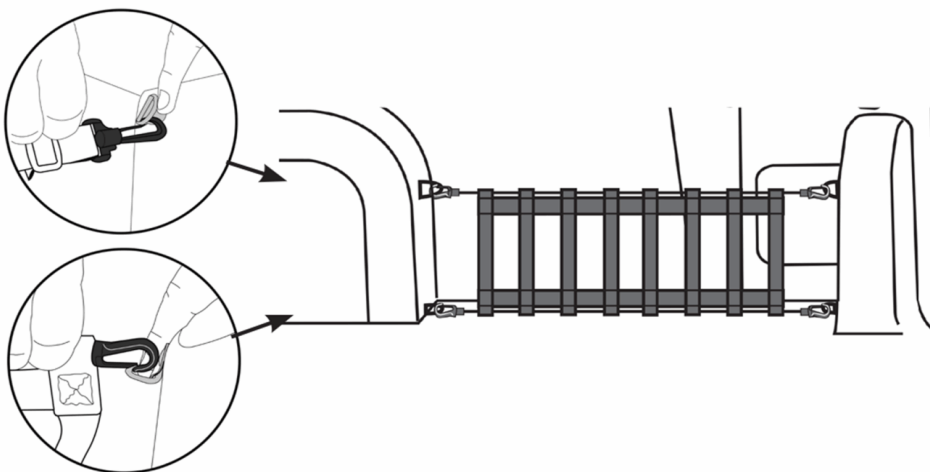
Install one rear net on each side by inserting the plastic hooks into the D-rings.

Front Net Installation 6.7' and 8' Cargo Box



Install one front net on each side by inserting the plastic hooks into the D-rings.

Rear Net Installation 6.7' and 8' Cargo Box

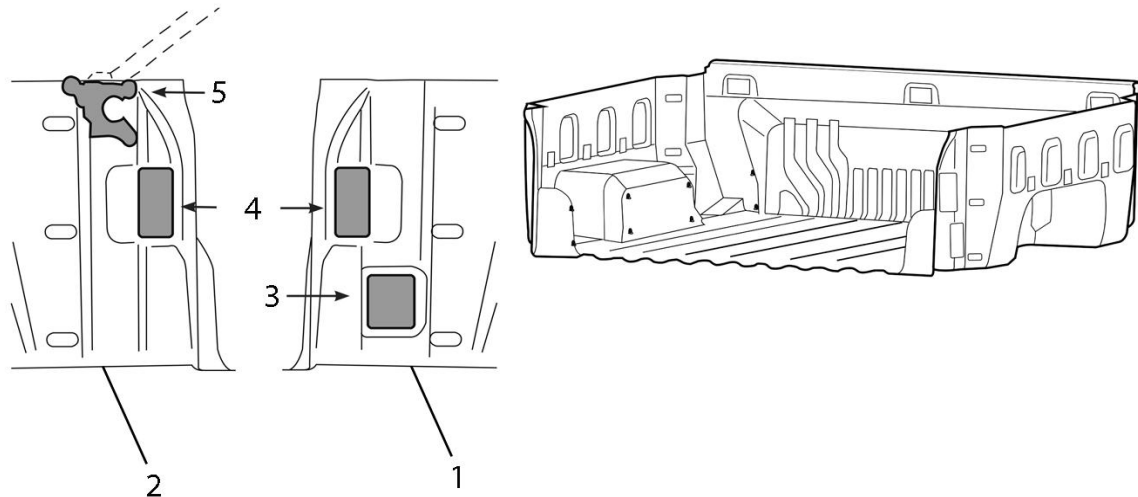


Install one rear net on each side by inserting the plastic hooks into the D-rings.

[Optional](#)

© 2018 General Motors. All rights reserved.

Truck With Cargo Lamps, 12V Outlets, or Assist Handle



- Locate the scribe lines on the 'B' surface of the plastic bedliner.
- For vehicles with assist handle, deploy handle completely before installing bedliner.
- **Note: Make sure to wear safety glasses and gloves.**
- Using a utility knife or jig saw, carefully trim the access holes on the driver side (1) and passenger side (2).
 - 12 V Outlet (3)
 - Cargo Light (4)
 - Assist Handle Base (5)